



PARTSCOMM PARTNERS

***JUST A SAMPLE OF THE SUPPLIERS
THAT WE HAVE ON BOARD***



www.PARTSCOMM.co.uk

 **PARTSCOMM**
PARTS FOR COMMERCIAL VEHICLES



PARTSCOMM[®]

PARTS FOR COMMERCIAL VEHICLES

Partscomm stock a comprehensive range of replacement parts for many commercial truck and van manufacturers, including:
DAF • MAN • MERCEDES • RENAULT • SCANIA • VOLVO

Partscomm provides a comprehensive range of ready-to-order quality, genuine parts for truck, van and trailer. The range covers all brands and includes complex components through to everyday workshop consumables, tools, body panels and parts. Every product comes with a manufacturer's backed guarantee.



Any Battery. Anywhere.



Official suppliers of Numax Batteries.

ecobat
BATTERY

Whatever your vehicle **PARTSCOMM** have the part!

www.PARTSCOMM.co.uk

From the first mile to the last.

MANN-FILTER – for first fit and
the automotive aftermarket.

MANN-FILTER, the premium filter brand of the automotive aftermarket, offers innovative solutions to new, challenging filtration demands. As original equipment or yellow-green boxed, whether for passenger cars, commercial vehicles or off-highway applications: original MANN-FILTER products in OE quality are trusted around the world.

Always choose original MANN-FILTER in 100% OE quality!



**MANN
FILTER**

Original
MANN-FILTER
in 100%
OE quality!



We work closely with **SCM** who are the only authorised independent remanufacturer of BorgWarner and Holset turbos in the UK.

With a large stock of service-exchange turbos we are able to offer next-day delivery for a comprehensive range of commercial vehicles.

- Service exchange turbos with no quibble warranty
- New turbos with 24 month standard warranty
- Replacement guarantee
- Complimentary gasket kit provided

(exclusions apply, labour not included)



We are SAMPA

Leading Global Manufacturer
of Commercial Vehicle Parts





Your Partner in Exhaust and Emission



DinSensor™, NOx Sensors

Our NOx Sensors are:

- Directly replaceable with OE Sensors
- Tested at Dinex Test Center
- Tested and accredited by third party
- A cost effective balance between emission control and Urea consumption
- Stock item for fast delivery
- Easy to install



Make	Truck	Bus	LCV	Norm	OE no.	Coordination ref. no.	Dinex no.
DAF	XF			Euro 6	2293965	-	22021*
DAF	XO			Euro 6	2293964	-	22022*
DAF	XF / CF			Euro 6	2236408	SNS0051F	22026*
DAF	XF / CF			Euro 6	2236406	SNS0344D	22027*
DAF	LF / XF			Euro 6	1710806, 4326864	SWK96750C	22028
DAF	XF 105, CF 75, CF 85	SOVA, Solenis		Euro 5	1836059, 1793378, 1744683, 2011648,	SWK96619B, SWK96619D	22030
DAF	XF 105, CF 75, CF 85, XF 95			Euro 5	1697588, 1836060, 1793379, 2011649	SWK96628A, SWK96628C	22032
DAF	LF 45, LF 55, CF 65			Euro 3	1705572, 1705570, 1703087, 1702178, 2804940	SWK96675A	22033
DAF	XF			Euro 6	2063463, 1936256, 1973525	SWK97344B	22034*
DAF	XF			Euro 6	1928760, 1953530, 4326868	SWK96752C	22035
DAF	XF			Euro 5	1746581, 1793380, 1836061, 2011650	SWK96626C	22036
DAF	CF / XF			Euro 6	2006245, 1973527, 1936258, 1932603, 1904788	SWK96661D	22037*

22021* - for vehicles with MX-13 engine that are built in (year/week) 2017/01-2019/21
 22022* - for vehicles with MX-11 engine that are built in (year/week) 2017/01-2019/21
 22026* - for vehicles with MX-13 engine that are built after (year/week) 2019/21
 22027* - for vehicles with MX-11 engine that are built after (year/week) 2019/21

22034* - for vehicles with MX-11 engine that are built until (year/week) 2017/01
 22037* - for vehicles with MX-13 engine that are built until (year/week) 2017/01

Make	Truck	Bus	LCV	Norm	OE no.	Coordination ref. no.	Dinex no.
DAF	XF			Euro 6	1952665, 4326862, 4326470	SWK965751C	22038
MAN	TQM, TGS, TGA	Lions City, Jetliner, Lions Regio		Euro 5	81.15408.0000, 81.15408.0004, 81.15408.0009, 81.15408.0011, 81.15408.0000, 81.15408.0004	SWK96616C, SWK96618D	47030
MAN		Lions City, Jetliner, Lions Regio, IEL INTER CITY		Euro 5	51.15408.0008, 51.15408.0037	SWK96722B, SWK96722	47031
MAN		Neoplan		Euro 5	51.15408.0019, 51.15408.0032	SWK96790B, SWK96790	47032
MAN	TQM / TGL	Lion's city, Skyliner, Starliner, Cityliner, Tourliner, Lion's coach, Lion's rego, MobyCity		Euro 6	51.15408.0007, 51.15408.0003, 51.15408.0036	SWK96721A, SWK96721B	47034
MAN	TQM, TGS, TGL, TGM			Euro 6	51.15408.0011, 51.15408.0018	SWK96783B, SWK96783	48018
Mercedes-Benz	Actros, Atego, Eosac			Euro 6	010.153.1628	SWK97321A	51026
Mercedes-Benz	Actros, Aior			Euro 6	009.153.0126, 010.153.9628	SWK96609C, SWK96659B	51027
Mercedes-Benz	Atego, Actros, Tourismo, Citaro, Espirito, Conecto, Integro, Imbora			Euro 6	010.153.1528	SWK97320A	51028
Mercedes-Benz	Actros, Atego			Euro 6	010.153.1728	SWK97322A	51029
Mercedes-Benz	Actros, Atego	Tourimo, Citaro, Conecto, Tirogno, Tourismo, Imbora, Integro	Vario	Euro 5	008.153.7326, 001.153.3628, 009.153.7328	SWK96616F, SWK96616E, SWK96616D	51030
Mercedes-Benz	Actros, Aior			Euro 5	010.153.9226, 008.153.9826	SWK96642, SWK96642A, SWK96642B	51031
Mercedes-Benz	Actros, Aior			Euro 6	009.153.0028, 010.153.9628, 009.153.9628, 011.153.7328	SWK96638B, SWK96653	51032
Mercedes-Benz			Sprinter	Euro 6	000.905.3403, 001.905.5100, 000.905.6900	SWK96681C	51033
Mercedes-Benz	Actros, Citaro, Conecto, Tourismo, Imbora			Euro 6	008.153.9026, 010.153.9428	SWK96628B, SWK96652A	51035
Mercedes-Benz	Atego, Actros, Eosac, Tourismo, Atego, Tirogno			Euro 6	010.153.1428	SWK97320A	51036
Renault	Kerax, Midlum, Premium, Magnum			Euro 5	74222150283, 7422315090, 7421827993, 7421984358, 7485137315	SWK97171, SWK9664E, SWK96605C, SWK96717B, SWK96717A	81030
Renault	T, L, C, D			Euro 6	7421827991, 7422315088, 7421716281, 7423331794	SWK97368	81032
Scania	P, G, R, T, S		F, K, N	Euro 6	2247880, 2296800, 2294290, 2064768	SWK97401	67031
Scania	P, G, R			Euro 6	2247881, 2296801, 2294291, 2064769, 2064767	SWK97401	67032
Scania	P, G, R, T			Euro 5	2296798, 2347378	SWK96679C	67033
Scania	P, G, R, T, S		F, K, N	Euro 5	1783396, 1908526, 1030661, 2296799, 2247379, 1873080, 1732461	SWK96612F, SWK96612D, SWK96612B	67034
VDL			VDL buses	Euro 5	30306089, 41097586, 41793370, 30354038	SWK96628A, SWK96628C	22032
VDL			VDL buses, Ambassador	Euro 5	30304038, 41793380, 30354037	SWK96620C	22036
Volvo	FL, FE, FH, FM		BSLH, B9L, B9S, B9FL, B9TL, B9A, B9E, B9K, B226, B12M, B11R, B13R	Euro 5	71567736, 71568158, 71719183, 71477997, 7215990, 71879961, 71244501, 70873117, 70873195, 71531794, 71187788, 70751663	SWK97371, SWK96664E, SWK96605C, SWK96717B, SWK96717A	81030
Volvo	FL, FE, FH, FM, B12M, BSLH, B9L, B9K, B9E, B9RH			Euro 6	22319284, 22319087, 23827995, 71601455, 71567742, 71474017, 71326719	SWK97372	81031
Volvo	FH(4)FM(4), FL(3)FE(3), FHiFM		BSLH, B9R	Euro 6	23827991, 71567737, 71431797, 71474015, 72192183, 72319888, 31040930	SWK97368	81032

POLYGARD

*The Polygard
auto-refinishing range.
From panel degreaser and thinner
to primer and clearcoat.*





Brake Evolution

Our commitment to excellence

Our commitment is built on over 19 years' experience in air brake and vehicle control system components powered by innovation, smart design and responsiveness to customers enquiries. This allows our brand to provide the highest quality products and service to all our customers worldwide.



Parts for truck, trailer and bus.



Lucas

Trusted quality from the UK's original automotive lighting brand.

With over 140 years of innovation and development, Lucas have been continuously trading longer than any other automotive component brand in the world. Our iconic green boxes are recognised and trusted by workshops, technicians and drivers throughout the globe.



12v and 24v | Halogen | Incandescent | Xenon HID | Long Life | Upgrade Bulbs

J4

PANELS • MIRRORS • LIGHTS

Quality is Key

Our entire product range is created using a material of the same standard of your current part and in most cases, they will be a significant improvement in terms of quality of the material, weight and colour of the original.

Unique

The QTC® product range is manufactured in our own 52000 sq. m facility. Production moulds are produced, injected and painted in house, then shipped and distributed from our premises in the UK.

Cross Referencing

In conjunction with Granning Group, we have over 20,000 cross references for all our Body Panels, Mirrors & Lighting products making us a leader in the industry for an accurate identification of products. All available on our website's search functionality and they are updated daily!

Availability

The UK's high demand for the QTC® brand is met with the arrival of a weekly stock replenishment ensuring that stock is readily available for you as and when you need it.



4000+

Products in Range!

85

Products Categories

30

Years in the Market

Product Groups

Battery Covers Bumper
Corners Bumpers
Cab / Wing Panels Corner Panels
Door Handles
Door Panels
Fog Lamps
Foglamp Brackets
Foglamp Frames / Blanks
Footboards
Footboard Brackets
Footboard Frames
Front Fenders Front Panels / Grilles
Headlamps
Headlamp Brackets
Headlamp Frames
Headlamp Panels
Indicators
Indicator Brackets
Marker Lamps
Mirrors
Mudflaps
Mudguards
Mudwing Tops
Rear Lamps
Rear Lamp Panels
Spoiler Panels
Step / Tread Plates
Stepwings
Sunvisors

The Commercial Vehicle Experts

Amipart • Omnipart • Leyland Hose & Silicone • GardnerParts

Amipart

Specialist supplier of an extensive range of replacement commercial vehicle spares on a wholesale basis.



Leyland Hose & Silicone

Design and manufacture silicone hoses primarily for the bus, truck, automotive, marine, rail, fuel cell and industrial markets.



Omnipart

Supplier of high-quality engine parts for commercial vehicle diesel engines including Cummins, MAN, Mercedes, Scania, Volvo and many more.



GardnerParts

Offer a competitive range of gearbox and transmission parts for a large range of makes and models.



PSS



Remanufactured Steering & Hydraulic Products

Steering boxes, pumps, racks
and hydraulic product for any
truck, bus or van in the UK.



Remanufactured Steering & Hydraulics

Products You Can Depend On



KEEPING THE WHEELS TURNING SINCE 1970



With over 4,000 products CBF is the UK's leading wholesaler and distributor of commercial vehicle body hardware. We've got you covered.



PRODUCTS

General Hardware / Access Steps / Body Mounting Fittings / Buffers & Fenders / Compression Latches & Handles / Curtain Tensioners / Door & General Retainers / Door Locking Handles & Locks / Door Locking Mechanisms / Door Panels, Seals & Hardware / Droplock Fasteners / Electrical Hardware / Gas Springs (Gas Struts) / Grab Handles - All Types / Hinges - All Types / Insulated Bulkheads / Lashing Rings & Links / Load Restraint / Mudguards, Mudflaps & Stays / Pelmet Section - Curtainsider / Rivets & Fasteners / Safety Products / Sealants, Adhesives & Tapes / Sideguard Systems / Tipper Fittings / Tipper Pads / Toolboxes & Storage Boxes / Ventilators

For any further info, queries or orders please contact your local **Partscomm** depot

DASH CAMERAS

TRUCK NAVIGATION



AVIC-Z730DAB-C

- 46 Country European navigation
- Vehicle size & weight based routing
- Carriage type specific routes
- Apple CarPlay & Android Auto
- Built in WiFi
- BT Handsfree & Audio

MULTIMEDIA RECEIVERS



DMH-A240DAB

- 6.2" touch screen
- FM/ DAB+
- Bluetooth Handsfree & Audio
- Weblink phone mirroring
- Reverse camera compatible



SPH-DA250DAB

- 6.2" touch screen
- FM/ DAB+
- Bluetooth Handsfree & Audio
- Apple CarPlay & Android Auto
- Reverse camera compatible

AUDIO RECEIVERS



FH-S820DAB

- Double Din • FM/DAB • CD
- BT HF/Audio • Front USB
- Spotify control



MVH-330DAB

- FM/DAB • BT HF/Audio • Front USB (Android)



DEH-S720DAB

- FM/DAB • CD • BT HF/Audio • Front USB
- Spotify Control

VREC-DZ600

- 160 degree viewing angle
- 1.5" LCD Screen
- Built in WiFi for app control
- Advanced night mode
- Parking mode



VREC-130RS

- 132 degree viewing angle
- 2" LCD Screen
- Full HD



VREC-170RS

- 139 degree viewing angle
- 3" LCD Screen
- Built in WiFi for app control
- Parking mode



AUDIO



TS-WX130DA Active underseat subwoofer

- Compact Body
- Built-In 160 Watts Class-D Amplifier
- Digital Bass Control
- Wired Remote (Gain, LPF, Phase, Bass Mode)

TS-G Speaker Range

Thanks to their increased power handling and high sensitivity performance, these speakers reproduce deep, impactful bass and natural highs.



Amber Valley LLP

Europe's largest manufacturer of:
Reversing Safety ■ Blindspot Protection
■ Battery Protection ■ Talking Alarms ■
LED Lighting



Amber Valley Developments LLP is an international speciality manufacturer of vehicle safety equipment.

Each year approximately £400m in vehicle damage is incurred as a result of reversing accidents. This figure is even higher when engine failures and tipping accidents are included.

Sadly, some of these incidents result in the loss of life. We develop and manufacture products which are designed to not only meet, but exceed the strict safety requirements of our valuable customers around the world. We can supply complete solutions tailor-made to your exact requirements.

We Have An Extensive Product Range
As a manufacturer of auto electrical parts for over 30 years, we have a huge array of products including a vast range of Reverse Alarms, Tail-Lift Protection, Blindspot Detection Equipment and more.



SHORTLISTED 2022

We're delighted to have been shortlisted for The British Engineering Excellence Awards (BEEAs) Brought to you by the publishers of Eurocar magazine, New Electronics and The Engineer. The BEEAs have been celebrating the very best in design engineering achievements across the UK and recognise the companies and people behind them since 2009.

The Tool Connection is the UK's most exciting and innovative tool company, distributing high quality tools through their Laser Tools, Kamasa, Gunson, Power-TEC and Connect consumables brands.

All our brands are well known worldwide and acclaimed for their quality, real value for money and backed up by a technical service that is second to none.



TAILORED FLOOR MATS

[OEM fit]



BLACK CARPET



RUBBER



FULL COLOUR LOGO EMBROIDERY SERVICE AVAILABLE
Additional cost & MOQ applies

Freight Products UK are pleased to announce we have launched our initial range of hard wearing, tailored Floor Mats.

Available in black carpet or 3mm heavy duty textured rubber, for the most popular makes and models of light commercial vehicles.

All mats come complete with any fittings or fixings required to fit the vehicle correctly.

CURRENTLY AVAILABLE FOR:

- | | |
|-------------------------------|---------------------------|
| CITROEN BERLINGO (18 - 21) | PEUGEOT EXPERT (18 - 22) |
| FORD CONNECT (18 - 20) | PEUGEOT PARTNER (08 - 22) |
| FORD CUSTOM (17 - 19) | RENAULT MASTER (10 - 20) |
| FORD TRANSIT (14 - 20) | RENAULT TRAFIC (01 - 20) |
| FORD TRANSIT CUSTOM (17 - 21) | VAUXHALL COMBO (18 - 20) |
| ISUZU D MAX (12 - 21) | VAUXHALL MOVANO (10 - 20) |
| LDV MAXUS (09 - 21) | VAUXHALL VIVARO (09 - 22) |
| MERCEDES SPRINTER (12 - 21) | VW CADDY (04 - 22) |
| MERCEDES VITO (13 - 20) | VW TRANSPORTER (08 - 21) |
| PEUGEOT BIPPER (08 - 20) | |
| PEUGEOT BOXER (08 - 20) | |

SUPPORTING THE TRANSPORT INDUSTRY FOR OVER 25 YEARS

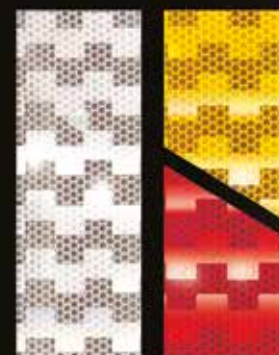


FPL ACRYLIC DOCUMENT HOLDERS

WEATHERPROOF • TAMPER-PROOF
IMPACT RESISTANT • UV RESISTANT



#	DETAIL	PART NO
1	Single Licence Holder	ARCLH3
2	Licence Plate Holder	ARCMOT9
3	Trailer MOT Holder	ARCMOT8
4	Registration Document Holder	ARCMOTO



ECE-104 RIGID GRADE CONTOUR TAPE



COLOUR	12.5M ROLL	50M ROLL
White	CTEC104W	CTEC104W50
Amber	CTEC104A	CTEC104A50
Red	CTEC104R	CTEC104R50

SUPPORTING THE TRANSPORT INDUSTRY FOR OVER 25 YEARS

CONTACT YOUR LOCAL DISTRIBUTOR TO PLACE YOUR ORDER



Bringing light to business OSRAM TRUCKSTAR® PRO designed for the long haul!

- Up to 2.5 x more lifetime⁽¹⁾
- Up to 120% more brightness⁽²⁾⁽¹⁾
- Very high vibration resistance
- Reduced downtime and fleet costs
- More light allows drivers to see farther and therefore react sooner
- Suitable for heavy duty applications

Light is OSRAM

OSRAM



* Compared with standard bulbs: 1. H7, H4, H1, H11, H13, H15, H16, H27, H28, H30, H31, H32, H33, H34, H35, H36, H37, H38, H39, H40, H41, H42, H43, H44, H45, H46, H47, H48, H49, H50, H51, H52, H53, H54, H55, H56, H57, H58, H59, H60, H61, H62, H63, H64, H65, H66, H67, H68, H69, H70, H71, H72, H73, H74, H75, H76, H77, H78, H79, H80, H81, H82, H83, H84, H85, H86, H87, H88, H89, H90, H91, H92, H93, H94, H95, H96, H97, H98, H99, H100

Battery Care DEALS



RSCP3024

Smartcharge Pro 30a Battery Charger

- 12V and 24V compatible ideal for intensive use with fleets of mixed vehicles including cars, LCV and HGVs, plus in commercial garages and workshops
- Up to 30A continuous charge



Suitable for



£ 285.99 +VAT

RCBT60T

12/24V 60A Automatic Smart Charger and 540A Jump Starter

- Smart Charge technology Optimises battery performance and improve a battery's ability to hold charge



£ 210.99 +VAT

RPPS3000

TradeStart PowerPack with SafeGuard Protection

(1200A/600A
Cranking Amps)

- Starts up to 5.5 litre engines
- Ideal for light commercial vehicle fleets and cars



£ 249.99 +VAT



- Brake Discs & Drums

- Designed to OE specifications
- Approved to UNECE R90:02

- Brake Pads

- Available in 3 Material Grades
 - Standard Juratek
 - Premium SYNERGY RED
 - Premium Plus SYNERGY YELLOW
- Kits included

- Wear Indicators

- Premium heat resistant leads

- UNECE R90:02 approved

- Our pads have been fully tested on a full scale inertia dynamometer for performance, fade, integrity, pad and disc life on our behalf by Applus IDIADA Automotive Technology UK
 - a completely independent ECE accredited testing authority.

- Enhanced product attachment

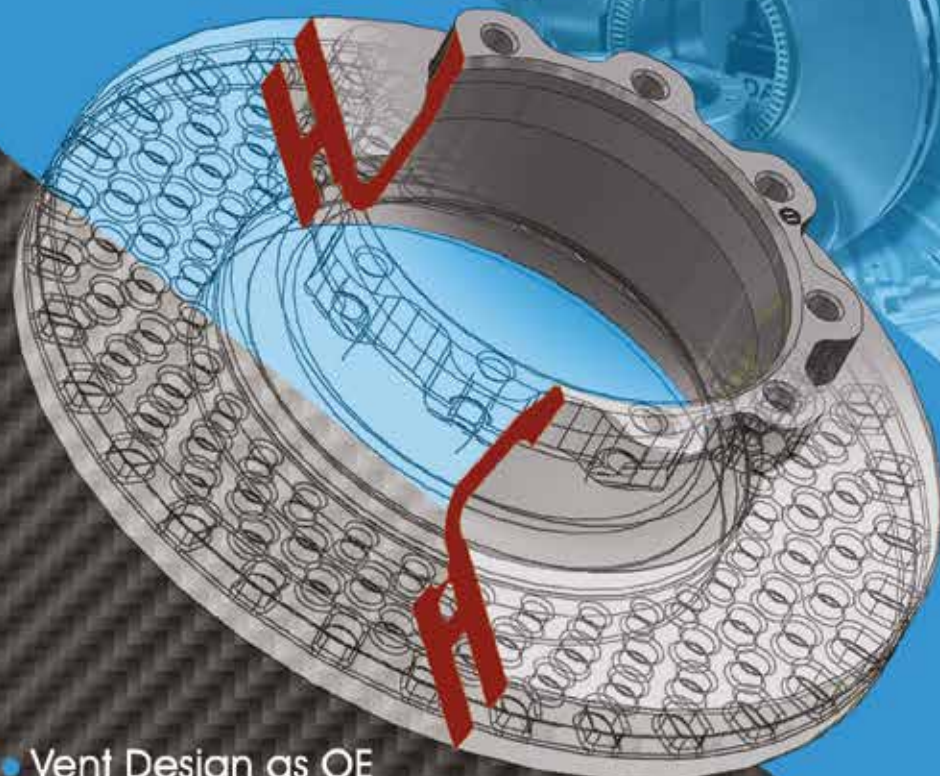
- Our pads are attached to the steel backing plate using a combination of fixing techniques to enhance pad retention in use.

In addition to the conventional high temperature bonding layer we have now added wire mesh as is used on the most demanding of OE applications.

- Vent Design as OE

At Juratek, we pride ourselves on the first class quality of our products. We control the development and quality processes.

During our development process attention is given to the vent design to ensure it matches the design used in the OE version.



JURATEK

The Genuine Alternative...

**ORIGINAL EQUIPMENT SUPPLIER TO THE EUROPEAN TRUCK INDUSTRY
AND 'THE ONLY UK MANUFACTURER OF ROTATING ELECTRICS'**

- Brand new starters & alternators
- No surcharges
- No old core requirement
- Original Equipment supplier to over 40 European manufacturers including:
Scania, MAN, Van Hool, Alexander-Dennis, Wright Group, Optare, VDL, Cummins, CAT, etc..
- 95% vehicle parc availability



Special Offers from Partscomm!



Application	Part No.	Description	Price £*
DAF LF	S860815	Starter 24V 4kW	£165.76
	S860806GB	Alternator 24V 110A	£163.84
Mercedes Atego	S860321	Starter 24V 4kW	£165.76
	S860807GB	Alternator 24V 110A	£163.20
Scania R Series	SM90R3545SE	Starter 24V 6kW	£228.48
	S861298	Alternator 24V 100A	£216.96
Volvo FH	SM90R3547SE	Starter 24V 6kW	£228.48
	S860804GB	Alternator 24V 110A	£163.20

* Prices Exclude VAT.

Note: Prices can change at anytime due to fluctuations in raw material costs.



Granning Group are a trusted, leading supplier of Truck ,Trailer LCV and PSV parts, specializing in Airsprings, Leaf Springs, In-House Remanufactured Calipers, Shock Absorbers and Landing Legs.

With over 30 years' experience in distribution. As well as our own brand Granning also distribute leading brands such as Firestone, Continental, Schomacker and Monroe.

Shock Absorbers

& Cabin Shocks



MONROE
SHOCK ABSORBERS



Brake Calipers

Rebuilding Brake Calipers to Standards of Excellence



BrakeTech

TMD APPROVED FACILITY



Leaf Springs

for Truck, Trailer, LCV & Bus



Airsprings

A Granning Group Brand

INDUSTRY LEADERS IN AIRSPRINGS, ROAD SPRINGS, SHOCK ABSORBERS, CALIPERS AND LANDING LEGS



Any Battery.
Anywhere.



Official suppliers of Exide Batteries.

ecobat
BATTERY



PARTSCOMM
PARTS FOR COMMERCIAL VEHICLES

MANAGED PARTS SERVICE

We believe by using our tailored service we can drive down your costs by offering you parts at the best price while reducing the resource needed across your workshop or fleet, as we take the hassle out of parts identification and reordering. We can offer greater accuracy identifying the right part for the right vehicle or trailer, while building up a better understanding of your overall parts requirements.

By using Partscomm to manage your parts requirements we can add value to your business by:

- Ensuring you have the right parts in the right place
- Correct stocking levels are in place to ensure maximum operational efficiencies
- Identification of the right part for marque of vehicle
- Re-ordering process is handled seamlessly

How we make it happen:

- Initial customer visits to decide on the Imprest stock you require
- Implementation of Imprest stock into your business
- Fast moving stock managed/replenished daily or weekly depending on usage
(requirements sent to us by 5.00pm will be replenished next day on our own transport)
- Dedicated account manager together with regular onsite visits
- Monthly special offers on accessories and consumables

Let Partscomm enable you
to gain control of:
COSTS • TIME • QUALITY



Whatever your vehicle **PARTSCOMM** have the part!

See the suppliers that feature in this brochure, and visit www.partscomm.co.uk to see many more.



WEST BROMWICH
0121 553 2737

COVENTRY
02476 584488

THETFORD
01842 880088

BIRMINGHAM
0121 359 5888

LEICESTER
0116 226 5100

NOTTINGHAM
0115 964 8530

WOLVERHAMPTON
01902 352010

SHEFFIELD
0114 269 3230

SOUTH NORMANTON
01773 863311

CAMBRIDGE
01223 861371

PETERBOROUGH
01733 727100

STOKE-ON-TRENT
01782 214490

